



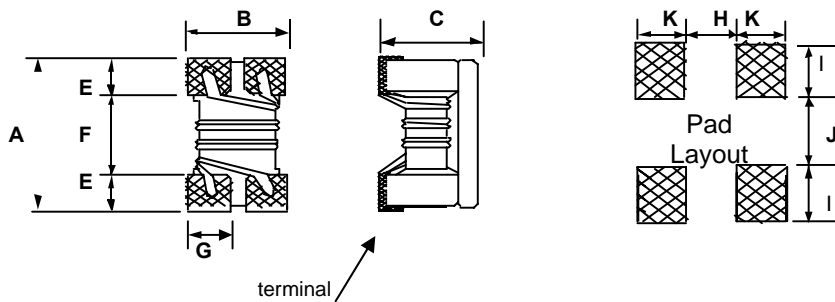
WIRE- WOUND COMMON MODE CHOKE

CHIP INDUCTORS-0805 Series(2012) (67~370Ω)

Part Number	Impedance (Ω) @100MHZ	Percent Tolerance	R _{DC} Max Ohms	Rated Voltage Vdc(V)max	Rated current Max mA
HCMC0805-670MFS	67	20	0.15	50	400
HCMC0805-900MFS	90	20	0.19	50	370
HCMC0805-121MFS	120	20	0.25	50	370
HCMC0805-161MFS	160	20	0.30	50	350
HCMC0805-181MFS	180	20	0.30	50	330
HCMC0805-201MFS	200	20	0.35	50	250
HCMC0805-221MFS	220	20	0.35	50	250
HCMC0805-261MFS	260	20	0.40	50	200
HCMC0805-361MFS	360	20	0.50	50	100
HCMC0805-371MFS	370	20	0.50	50	100

Working Temperature Range : -40 °C ~ 85 °C

Shape & Dimension



	A		B		C		E	F	G	H	I	J	K
	Max.	Ref	Max	Ref	Max	Ref							
inch	0.087	0.079	0.055	0.047	0.055	0.047	0.016	0.047	0.016	0.015	0.030	0.043	0.020
mm	2.20	2.00	1.70	1.45	1.40	1.20	0.40	1.20	0.40	0.38	0.75	1.10	0.50

Parts/Reel: 7" 2,000 pcs

Tape Width: 8mm



WIRE- WOUND COMMON MODE CHOKE

HCMC0805 Series Typical Electrical Characteristics

